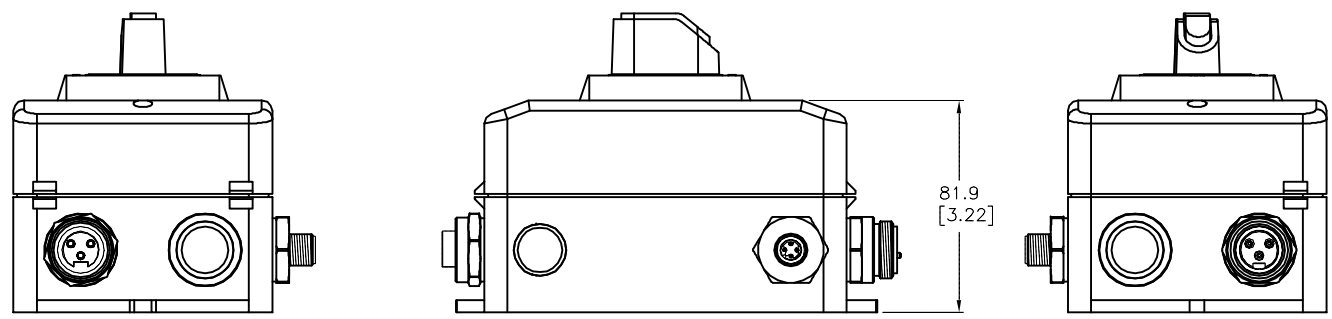
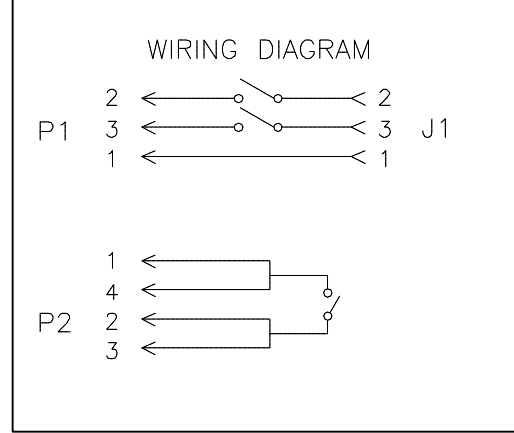
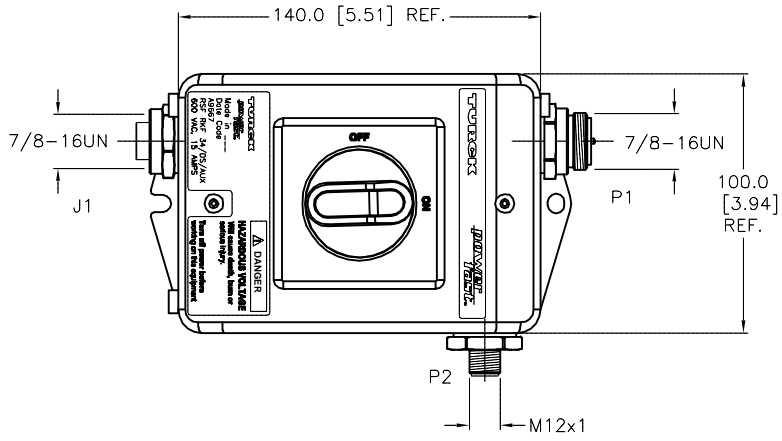


SPECIFICATIONS	
ENCLOSURE MATERIAL	POLYCARBONATE
POWER RECEPTACLES	A-SIZE POWER (P1,J1)
AUXILIARY CONTACT RECEPTACLE	EUROFAST (P2)
AUXILIARY CONTACT	NORMALLY OPEN
PROTECTION CLASS	NEMA 12 AND IEC IP65
OPERATING VOLTAGE [V] (P1,J1)	600 V
OPERATING CURRENT [A] (P1,J1)	15.0 A
OPERATING VOLTAGE [V] (P2)	250 V
OPERATING CURRENT [A] (P2)	4.0 A
MAXIMUM HORSEPOWER RATING	1 HP @ 120 V, SINGLE PHASE 1.5 HP @ 240 V, SINGLE PHASE



SOURCE DRAWING - FOR REFERENCE ONLY

NOTE:
1. DISCONNECT SWITCH HAS LOCKOUT/TAGOUT CAPABILITIES.

CAUTION:
RISK OF ELECTRICAL SHOCK
DO NOT DISCONNECT UNDER LOAD

RELATED DOCUMENTS 1. 2. 3. 4.	3RD ANGLE PROJECTION 	THIS DRAWING IS CONFIDENTIAL AND THE PROPERTY OF TURCK INC. USE OF THIS DOCUMENT WITHOUT WRITTEN PERMISSION IS PROHIBITED.		3000 CAMPUS DRIVE MINNEAPOLIS, MN 55441 1-800-544-7769 (763) 553-7300 (763) 553-0708 fax turck.com	
		DRFT	RWC	DATE	01/14/11
MATERIAL SEE SPECIFICATIONS	ALL DIMENSIONS DISPLAYED ON THIS DRAWING ARE FOR REFERENCE ONLY	APVD		SCALE	1=3.0
FINISH SEE SPECIFICATIONS		CONTACT TURCK FOR MORE INFORMATION	UNIT OF MEASUREMENT MILLIMETER [INCH]		IDENTIFICATION NO. A9667
		DO NOT SCALE THIS DRAWING		FILE: A9667	SHEET 1 OF 1

B	ADD NOTE	NF	03/20/15	49304
REV	DESCRIPTION	BY	DATE	ECO NO.